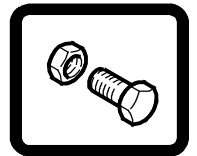


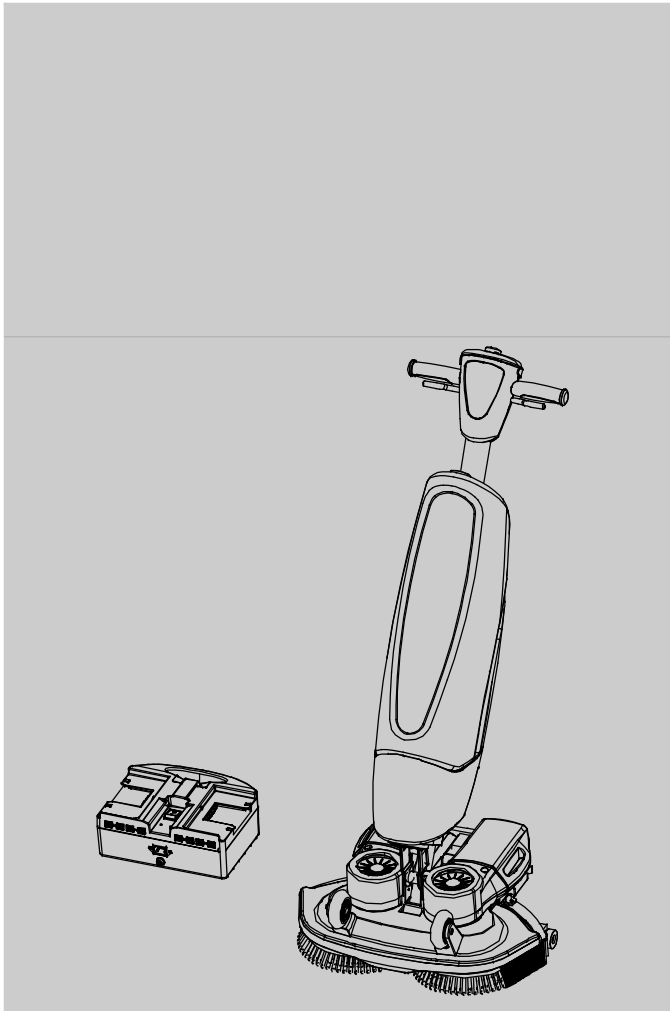
i-mop XL[®]

SCRUBBER

Parts Manual



(S/N 300000-)



Model Part No.:
1231845 - Machine w/Battery & Charger
9016402 - Machine w/Extra Battery & Charger
1232547 - Battery Charger



For the latest Parts manuals and other
language Operator manuals, visit:

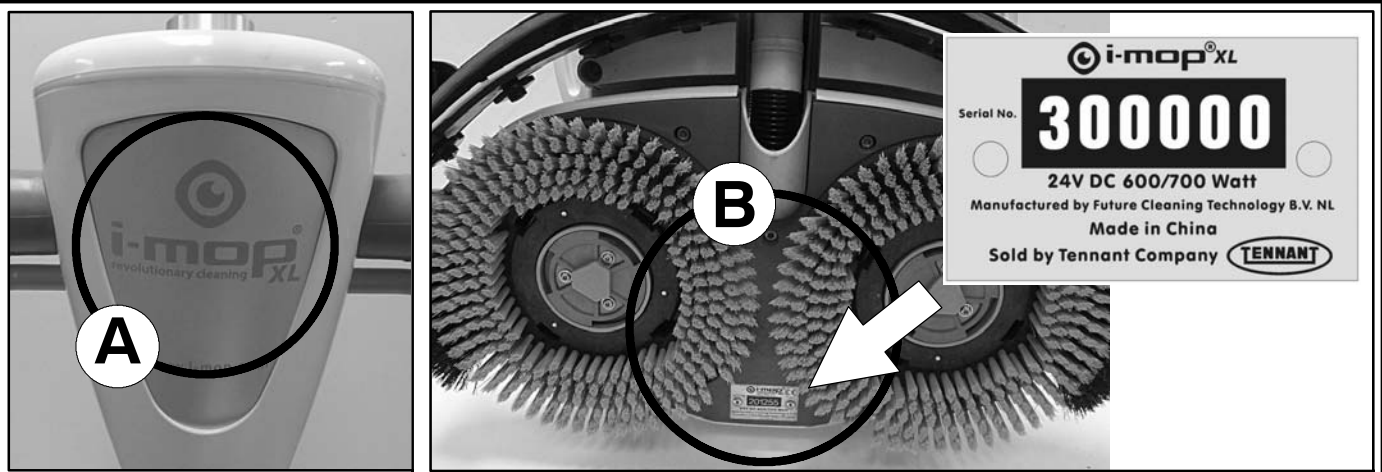
www.tennantco.com/manuals

North America / International

www.tennantco.com

9016490
Rev. 00 (05-2017)





Ref	Part No.	Serial Number	Description	Qty.
1	82681	(000000-)	Bracket Wldt, Lpg Mount	1
▽ 2	63810	(000000-)	Latch Assy, Lpg Tank Mtg, W/Nut	4
▲ 3	51839	(000000-)	Nut Adjustable, Lpg Tank Mtg	2
4	49263	(000000-)	Tie, Cable	3
(D)	82556	(000000- 001039)	Bracket, Vaporizer	1
	54930	(000000-)	Vaporizer, LPG	1

HOW TO ORDER PARTS - See diagram above

Only use TENNANT Company supplied or equivalent parts. Parts and supplies may be ordered online, by phone, by fax or by mail.

Follow the steps below to ensure prompt delivery.

1. (A) Identify the machine model.
2. (B) Identify the machine serial number from the data label.
3. (C) Ensure the proper serial number is used from the parts list.
4. Identify the part number and quantity. Do not order by page or reference numbers.
5. Provide your name, company name, customer ID number, billing and shipping address, phone number and purchase order number.
6. Provide detail shipping instructions.

- (D) ▽ - identifies an assembly
 ▲ - identifies parts included in assembly

Please fill out at time of installation for future reference.

Model No. - _____

Serial No. - _____

Machine Options - _____

Sales Rep. - _____

Sales Rep. phone no. - _____

Customer ID Number - _____

Installation Date - _____

Tennant Company

PO Box 1452
 Minneapolis, MN 55440 USA
 Phone: (800) 553- 8033
 www.tennantco.com

Specifications and parts are subject to change without notice.

Copyright © 2017 TENNANT Company, Printed in U.S.A.

STANDARD PARTS

GENERAL RECOMMENDED MAINTENANCE
ITEMS 5

HANDLE ASSEMBLY 6

HANDLE ASSEMBLY - CONT'D 8

CONTROL CONSOLE ASSEMBLY 10

CLEAN WATER TANK ASSEMBLY 12

DIRTY WATER TANK ASSEMBLY 14

SCRUB HEAD ASSEMBLY 16

BRUSH DRIVER ASSEMBLY 18

PAD DRIVER ASSEMBLY 20

SQUEEGEE ASSEMBLY 22

MAIN LEVER ASSEMBLY 24

BATTERY PACK ASSEMBLY 26

BATTERY CHARGER ASSEMBLY 28

ELECTRICAL DIAGRAM 30

TABLE OF CONTENTS

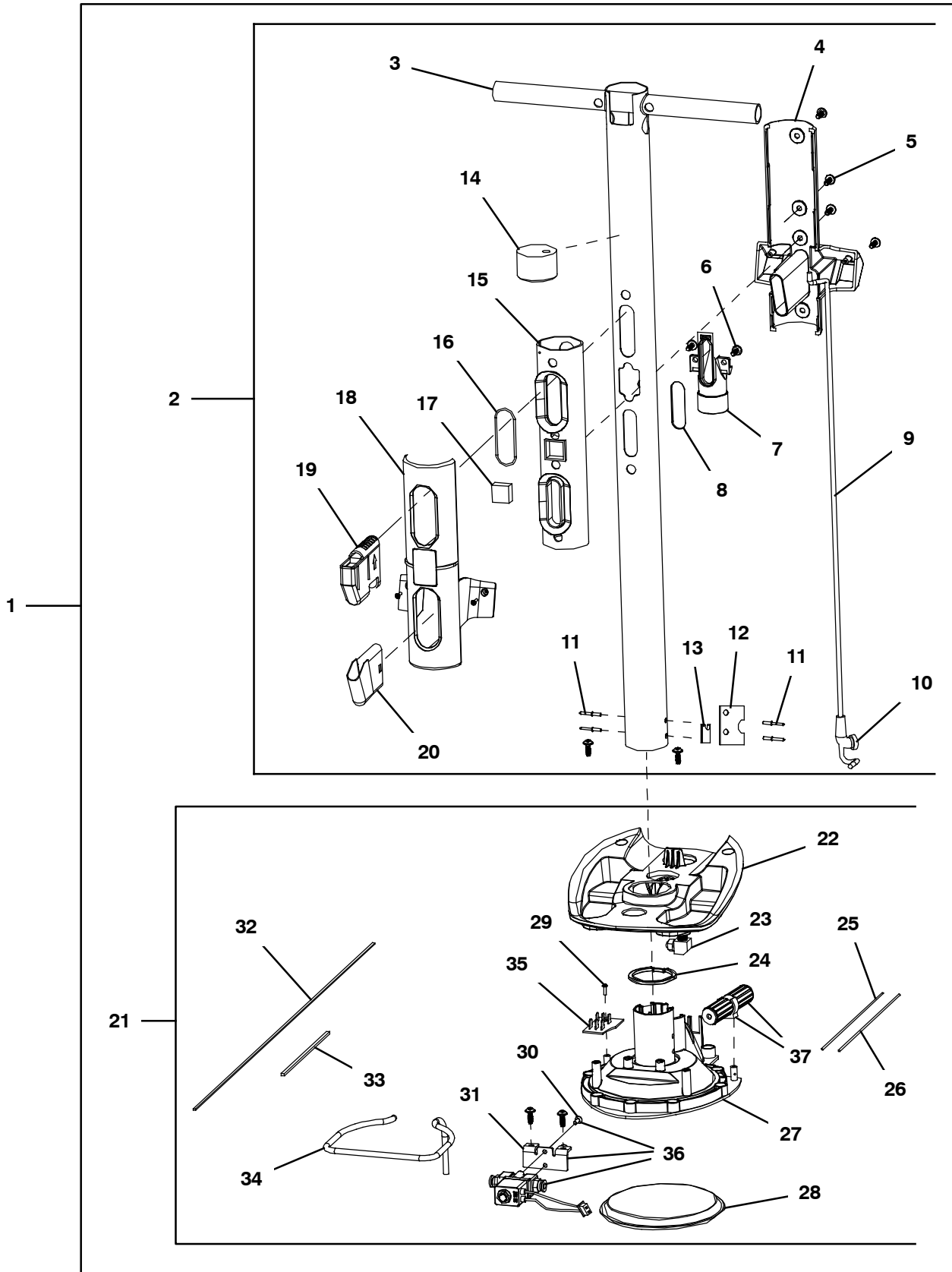
RECOMMENDED MAINTENANCE ITEMS

GENERAL RECOMMENDED MAINTENANCE ITEMS

Part No.	Serial Number	Description	Qty.
1232637	(300000-) Pad Kit, Red (Washing Pad) (Set of 2)	2
1232638	(300000-) Pad Kit, Wht (Washing Pad) (Set of 2)	2
1232639	(300000-) Pad Kit, Grn (Washing Pad) (Set of 2)	2
1232640	(300000-) Pad Kit, Blue (Scrubbing Pad) (Set of 2)	2
1232636	(300000-) Pad Kit, Blk (Scrubbing Pad) (Set of 2)	2
1232645	(300000-) Pad Kit, Yellow [Twister] (Diamond Polishing Pad) (Set of 2)	2
1232647	(300000-) Pad Kit, Orange [Twister] (Diamond Polishing Pad) (Set of 2)	2
1232648	(300000-) Pad Kit, Blue [Twister] (Diamond Polishing Pad) (Set of 2)	2
1232649	(300000-) Pad Kit, Green [Twister] (Diamond Polishing Pad) (Set of 2)	2
1232650	(300000-) Pad Kit, White [Twister] (Diamond Polishing Pad) (Set of 2)	2
1232651	(300000-) Pad Kit, Red [Twister] (Diamond Polishing Pad) (Set of 2)	2
1232627	(300000-) Squeegee Kit, Front	1
1232629	(300000-) Squeegee Kit, Rear (Standard)	1
1232635	(300000-) Squeegee Kit, Rbr, Oil-Rstn (Option)	1
1232579	(300000-) Motor, Brush, Rh	1
1232582	(300000-) Motor, Brush, Lh	1
1232669	(300000-) Circuitboard, Cntrl	1
1232670	(300000-) Circuitboard, Cntrl, Bat	1
1232482	(300000-) Valve Assy, Copper, W/ Connectors (Includes Fixation Plate and Mounting Screws)	1
1232481	(300000-) Connector Assy, Upt, Sigar (Includes Clip and Mounting Screw)	1
1232673	(300000-) Caster Assy, Sqge	3
1232674	(300000-) Fan, Vac (Includes Seals)	1
1232675	(300000-) Cover, Brush, Motor	1
1232590	(300000-) Hinge Assy, Lever	1
1232698	(300000-) Transport Kit, Caster, Rh	1
1232700	(300000-) Transport Kit, Caster, Lh	1
1232676	(300000-) Clip, Retaining, Tank	1
1232519	(300000-) Coupling, Water	1
1232677	(300000-) Connector, Hose, Sqge	1
1232684	(300000-) Knob, Cntrl (Silver)	1
1232686	(300000-) Decal, Instr	1
1232587	(300000-) Hose Assy, Stretch	1
1232492	(300000-) Filter Assy, Foam	1

HANDLE ASSEMBLY

355575



HANDLE ASSEMBLY

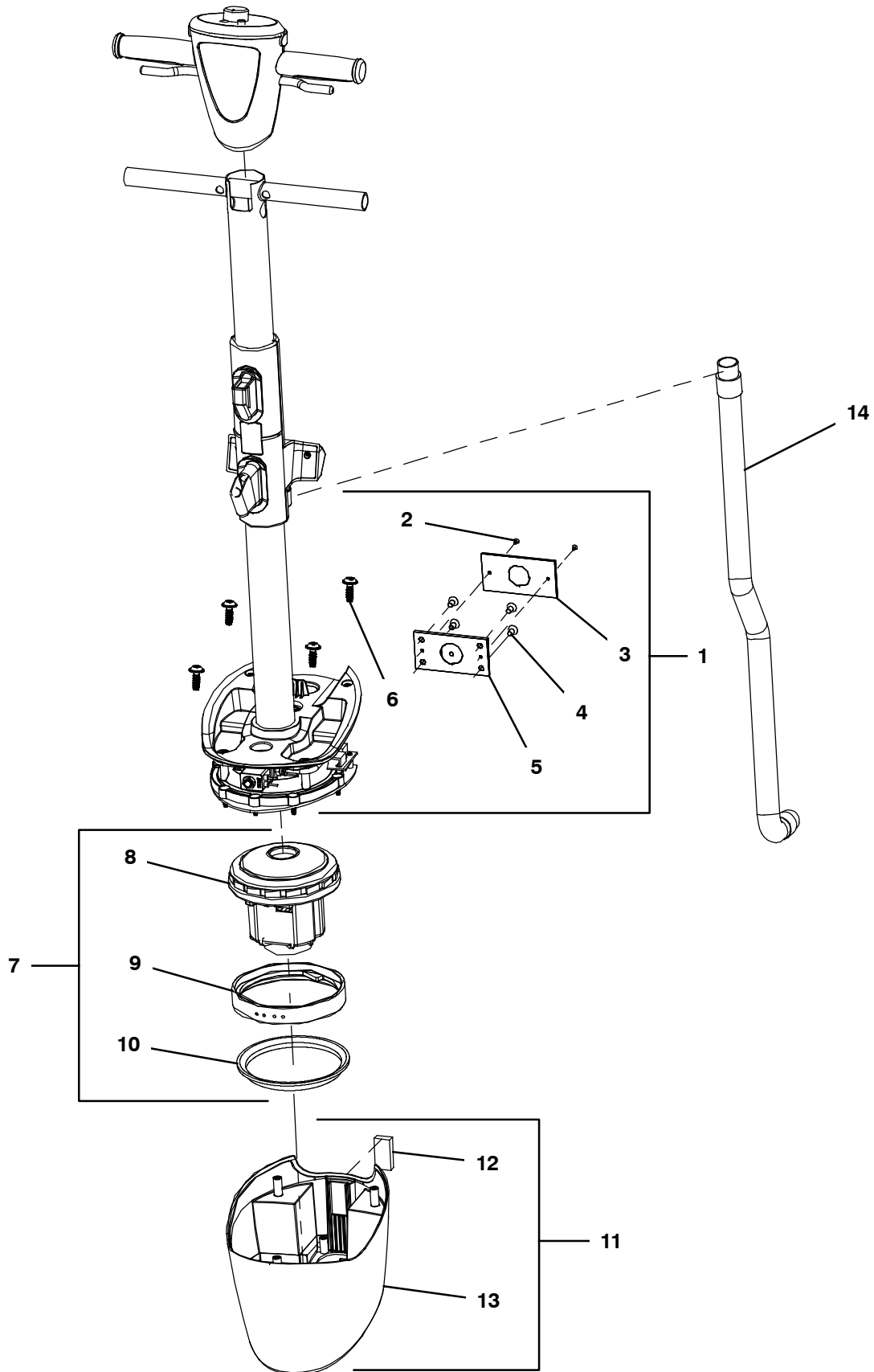
Ref.	Part No.	Serial Number	Description	Qty.
▽	1	1232443	(300000-) Tube Assy, Inlet	1
▲▽	2	1232708	(300000-) Tube Wldt, Inlet (Includes Items #2- 20 Only)	1
▲▲	3	N/A	(300000-) Assy Inlet Tube Welding	1
▲▲	4	N/A	(300000-) Tank Holder Rear	1
▲▲	5	N/A	(300000-) Screw Wn 5451 50x25 Ejot Delta Pt	10
▲▲	6	N/A	(300000-) Screw Wn 5451 25x10 Ejot Delta Pt	2
▲▲	7	N/A	(300000-) Stretch Hose Connector	1
▲▲	8	N/A	(300000-) Gasket For Hose Connector	1
▲▲	9	1232494	(300000-) Cable, Connector, Cntrl [Utp]	1
▲▲	10	N/A	(300000-) Power Cable Guiding Rubber	1
▲▲	11	N/A	(300000-) Rivet With Dia. 5mm & Length 10mm	4
▲▲	12	N/A	(300000-) Sealing Pressure Plate	1
▲▲	13	N/A	(300000-) Sealing Rubber Sheet Al Tube	1
▲▲	14	N/A	(300000-) End Cap Inlet Tube	1
▲▲	15	N/A	(300000-) Dirty Compartment Seal	1
▲▲	16	N/A	(300000-) O- ring Wire Dia. 3mm, Od 46mm	1
▲▲	17	N/A	(300000-) Magnet Top Unit Small 20x20x10mm	1
▲▲	18	N/A	(300000-) Tank Holder Front	1
▲▲	19	1232492	(300000-) Filter Assy, Foam	1
▲▲	20	N/A	(300000-) Transparent Plastic Deflector Dirty Tank	1
▲▽	21	1232710	(300000-) Motor Kit, Top (Includes Items #22- 36 Only)	1
▲▲	22	N/A	(300000-) Motor Unit Top	1
▲▲	23	N/A	(300000-) Angle Metal Connector	1
▲▲	24	N/A	(300000-) Motor Unit Frame Rubber	1
▲▲	25	N/A	(300000-) 187 Terminal + Wire 14awg Red, L=280mm 250 Terminal	1
▲▲	26	N/A	(300000-) 187 Terminal + Wire 14awg Blk, L=280mm 250 Terminal	1
▲▲	27	N/A	(300000-) Motor Unit Frame	1
▲▲	28	N/A	(300000-) Vacuum Motor Sealing Top	1
▲▲	29	N/A	(300000-) Screw M3x12 Crosshead Selftapping Bl- ni Sst	2
▲▲	30	N/A	(300000-) Screw Counter Sunk Bolt M4x10 Stainless Steel	2
▲▲	31	N/A	(300000-) Megnetic Ventil Fixation Plate Stainless Steel	1
▲▲	32	N/A	(300000-) Sealing Gasket Eva 3x1.5x593mm	1
▲▲	33	N/A	(300000-) Sealing Gasket Eva 4x2.5x150mm	1
▲▲	34	N/A	(300000-) Water Channel Dia. 6mm L:225mm	1
▲	35	1232486	(300000-) Circuitboard, Valve	1
▲	36	1232482	(300000-) Valve Assy, Copper, W/ Connectors (Includes Items #30 & 31 Only)	1
▲	37	1232481	(300000-) Connector Assy, Upt, Sigar (Includes Clip and Mounting Screw)	1

▽ ASSEMBLY

▲ INCLUDED IN ASSEMBLY

HANDLE ASSEMBLY - CONT'D

355581



HANDLE ASSEMBLY - CONT'D

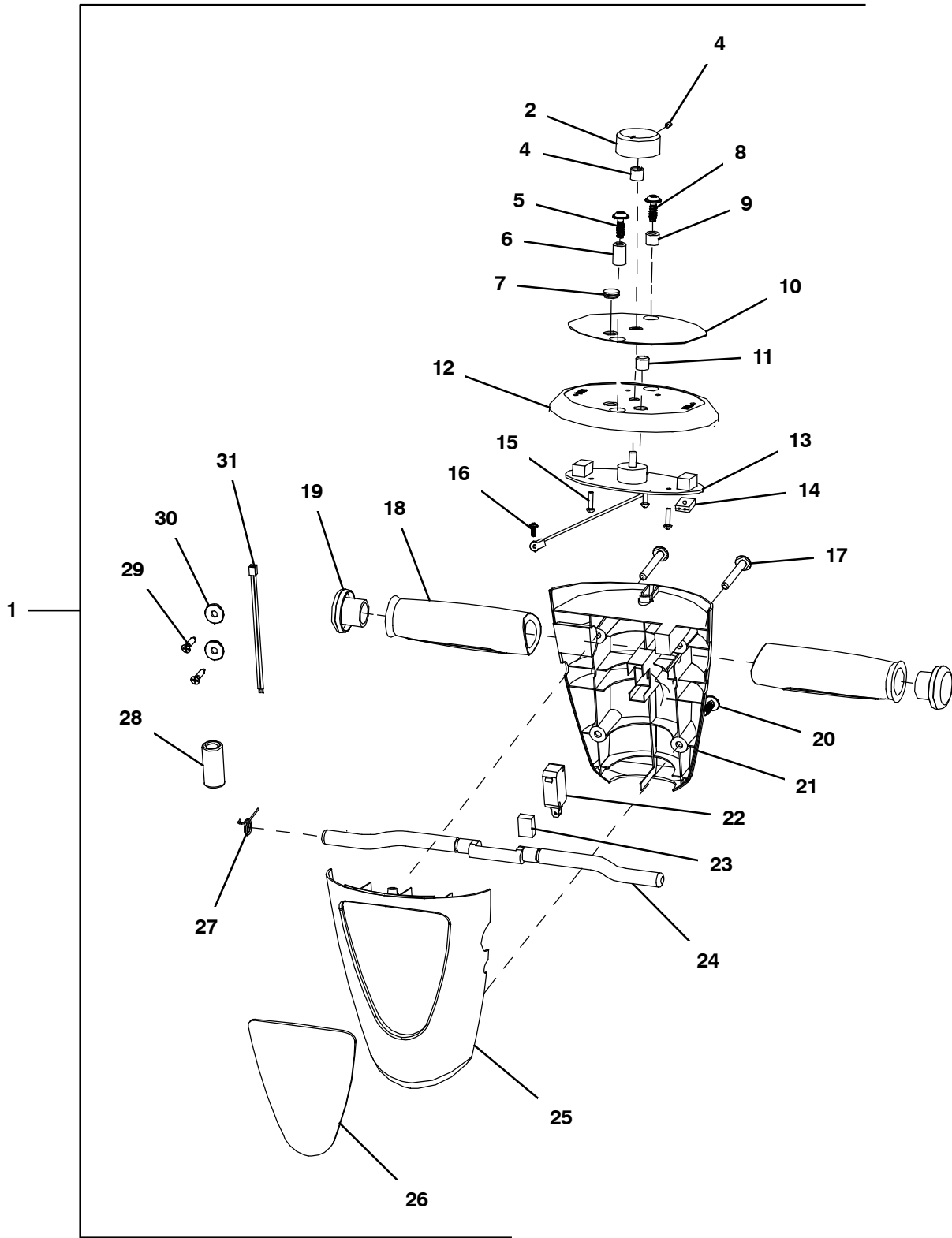
	Ref.	Part No.	Serial Number	Description	Qty.
▽	1	1232694	(300000-) Hinge Kit, Lever	1
▲	2	N/A	(300000-) Count Sunk Screw N3.5x13 Philips Head	2
▲	3	N/A	(300000-) Plastic Plate For Hinge Welding Assy	1
▲	4	N/A	(300000-) Counter Sunk Head Cap Screw M6x12 w/ Nylok Glue	4
▲	5	N/A	(300000-) Hinge Welding Assy Top Unit	1
▲	6	N/A	(300000-) Screw M4x12	4
▽	7	1232674	(300000-) Fan, Vac	1
▲	8	N/A	(300000-) Domel Vacuum Cleaner Motor	1
▲	9	N/A	(300000-) Vac Motor Sealing Support	1
▲	10	N/A	(300000-) Vac Motor Sealing Bottom	1
▽	11	1232711	(300000-) Cover Kit, Fan	1
▲	12	N/A	(300000-) Magnet Top Unit	1
▲	13	N/A	(300000-) Motor Unit Cover	1
	14	1232587	(300000-) Hose Assy, Stretch	1

▽ ASSEMBLY

▲ INCLUDED IN ASSEMBLY

CONTROL CONSOLE ASSEMBLY

355584



CONTROL CONSOLE ASSEMBLY

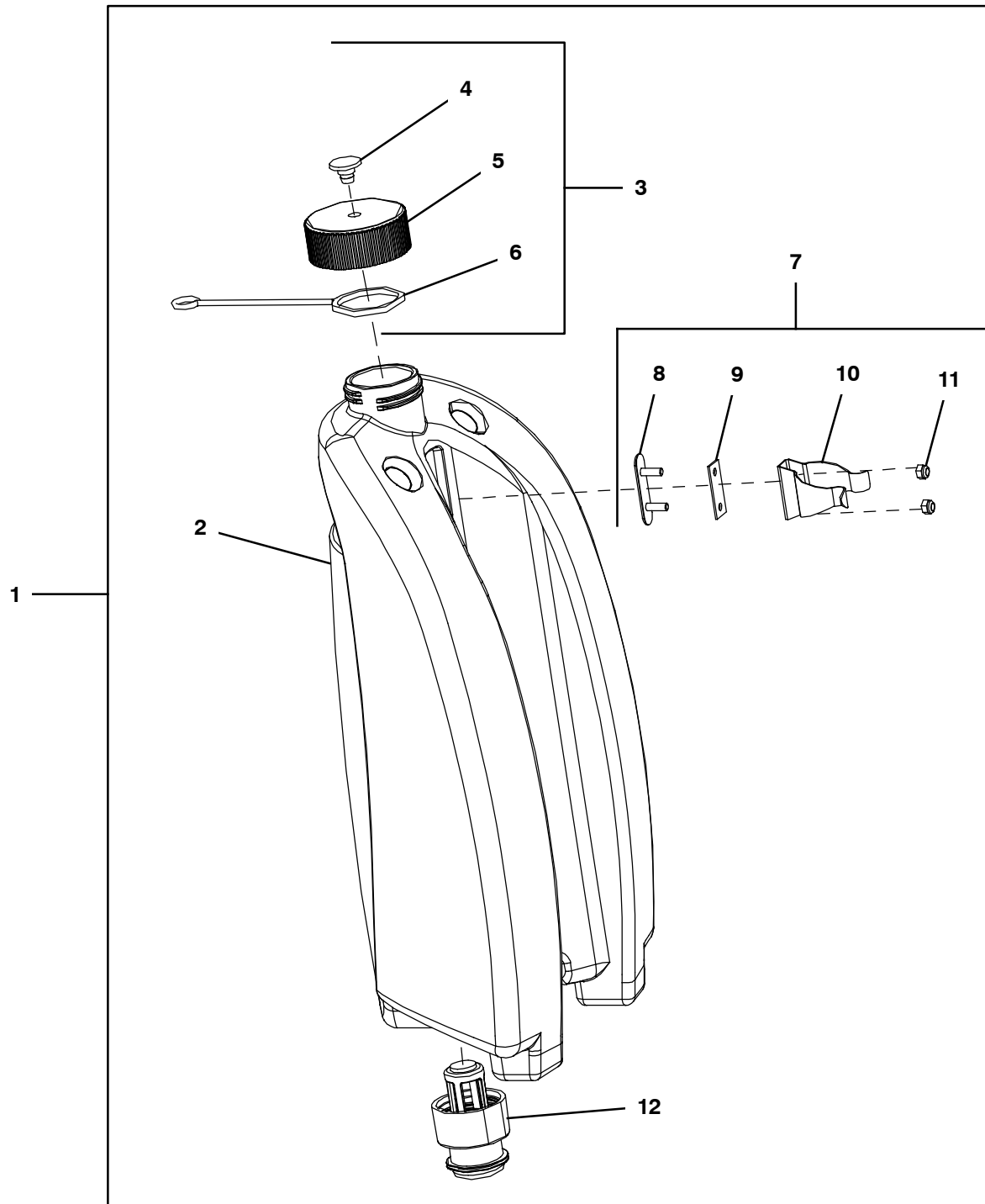
Ref.	Part No.	Serial Number	Description	Qty.
▽	1	1232438	(300000-) Control Assy, Unit	1
▲	2	1232684	(300000-) Knob, Cntrl	1
▲	3	N/A	(300000-) Hexagon Socket Set Screw M4 x 8	1
▲	4	N/A	(300000-) Fixation Insert Turning Button	1
▲	5	N/A	(300000-) M4x25 Countersunk Screw Stainless Steel	1
▲	6	N/A	(300000-) Support Plastic Bush Top Al Sticker Long	1
▲	7	N/A	(300000-) Rubber Block Water Save Adjustment Hole[A]	1
▲	8	N/A	(300000-) M4x20 Countersunk Screw Stainless Steel	1
▲	9	N/A	(300000-) Support Plastic Bush Top Al Sticker Short	1
▲	10	1232686	(300000-) Decal, Instr	1
▲	11	N/A	(300000-) Water Save Button	1
▲	12	N/A	(300000-) Top Housing Control Unit Color: White [A]	1
▲	13	1232669	(300000-) Circuitboard, Cntrl	1
▲	14	N/A	(300000-) Switch Wire Clamp, Color: Black	1
▲	15	N/A	(300000-) Screw M3x12 Crosshead Selftapping Bl- ni Sst	3
▲	16	N/A	(300000-) Screw 4x10	1
▲	17	N/A	(300000-) Screw M4x35 Crosshead, Standard Thread Sst	2
▲	18	N/A	(300000-) Handle Grip Without Protrusion, Color: Gray (P431C)	2
▲	19	N/A	(300000-) End Cap Grip, Color: Blue (P312C)	2
▲	20	N/A	(300000-) Screw M4x12 Crosshead, Standard Thread Sst	2
▲	21	N/A	(300000-) Rear Housing Control Unit Color: White	1
▲	22	N/A	(300000-) Power Switch Control Unit Omoron	1
▲	23	N/A	(300000-) Rubber Block 15x10x5mm Injected	1
▲	24	N/A	(300000-) Handle Control Unit Color: Blue	1
▲	25	N/A	(300000-) Front Housing Control Unit Color: White	1
▲	26	N/A	(300000-) Assy Al Plate Sticker Imop [Handle]	1
▲	27	N/A	(300000-) Spring Switch Lever Dia 0.8mm	1
▲	28	N/A	(300000-) Magnet Ring Easy Scrub	1
▲	29	N/A	(300000-) Screw Wn 5451 25x10 Ejot Delta Pt	2
▲	30	N/A	(300000-) Plastic Washer 9x4x1mm	2
▲	31	N/A	(300000-) On/Off Switch Wires / L=250mm	1

▽ ASSEMBLY

▲ INCLUDED IN ASSEMBLY

CLEAN WATER TANK ASSEMBLY

355576



CLEAN WATER TANK ASSEMBLY

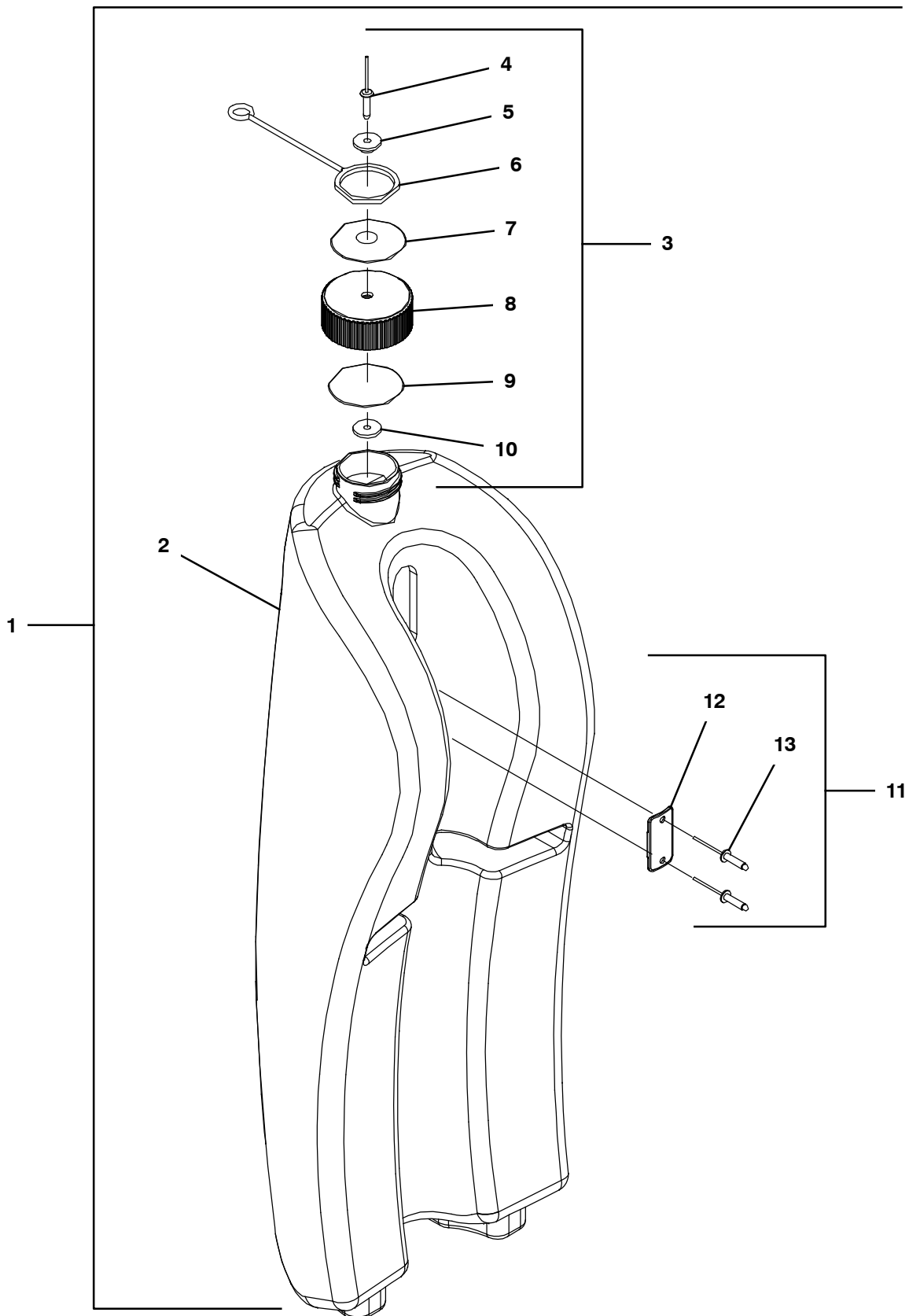
	Ref.	Part No.	Serial Number	Description	Qty.
▽	1	1232514	(300000-) Tank Assy, Sol [Blue Cap] (Standard)	1
▽	1	1232603	(300000-) Tank Assy, Sol [Red Cap] (Option)	1
▽	1	1232605	(300000-) Tank Assy, Sol [Yellow Cap] (Option)	1
▽	1	1232606	(300000-) Tank Assy, Sol [Green Cap] (Option)	1
▲	2	N/A	(300000-) Clean Water Compartment	1
▲▽	3	1232663	(300000-) Cap Kit, Tank, Sol [Blue] (Standard)	1
▲▽	3	1232665	(300000-) Cap Kit, Tank, Sol [Red] (Option)	1
▲▽	3	1232666	(300000-) Cap Kit, Tank, Sol [Yellow] (Option)	1
▲▽	3	1232667	(300000-) Cap Kit, Tank, Sol [Green] (Option)	1
▲▲	4	N/A	(300000-) Sleeve Cap Holder Clean Tank	1
▲▲	5	N/A	(300000-) Cap With Hole	1
▲▲	6	N/A	(300000-) Cap Holder	1
▲▽	7	1232676	(300000-) Clip, Retaining, Tank	1
▲▲	8	N/A	(300000-) Holder Plate Clip Clean Tank	1
▲▲	9	N/A	(300000-) Rubber Cushion For Metal Clip	1
▲▲	10	N/A	(300000-) Clip, Retaining, Tank	1
▲▲	11	N/A	(300000-) Nut M4 Nylon Stainless	2
▲	12	1232519	(300000-) Coupling, Water	1

▽ ASSEMBLY

▲ INCLUDED IN ASSEMBLY

DIRTY WATER TANK ASSEMBLY

355582



DIRTY WATER TANK ASSEMBLY

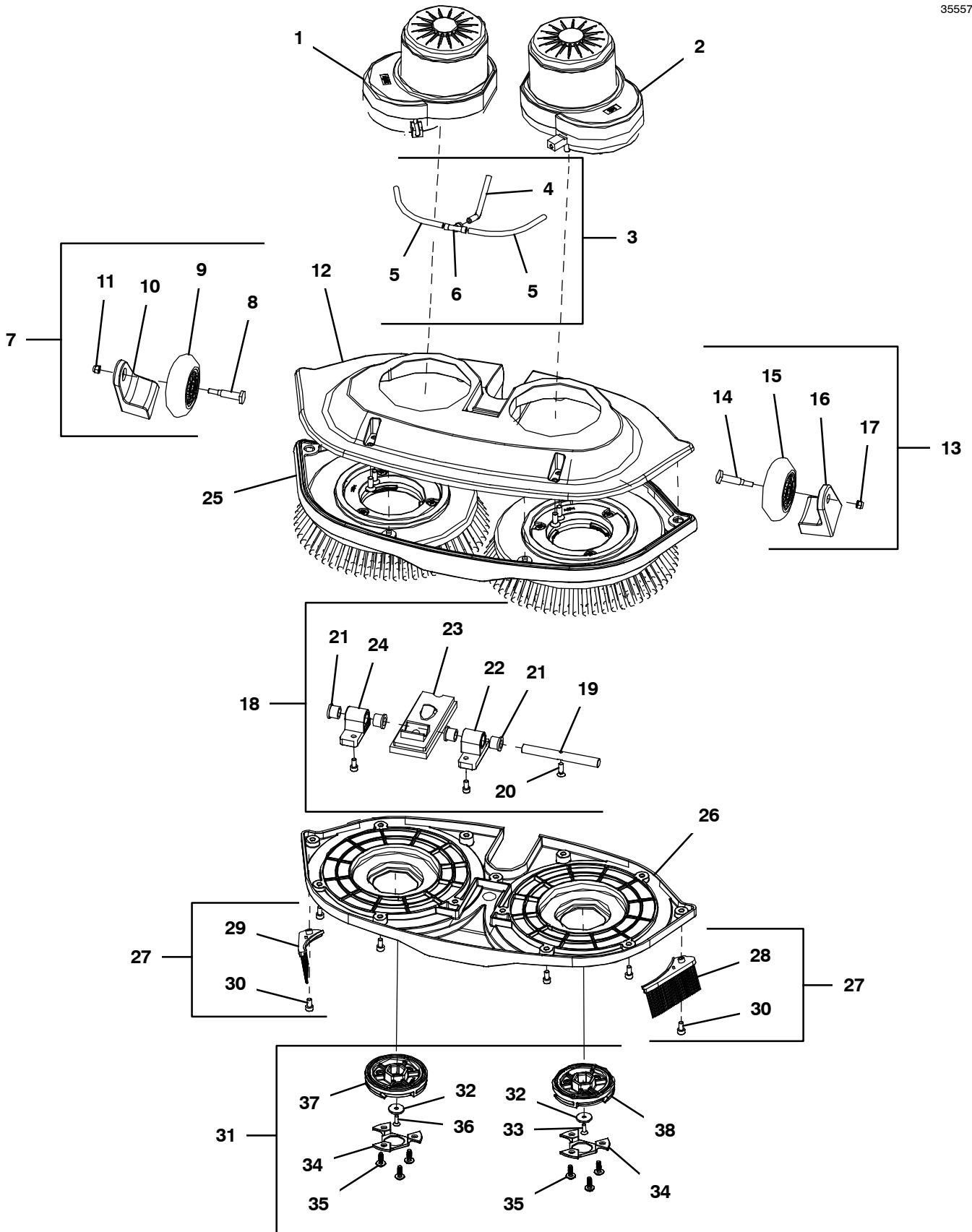
	Ref.	Part No.	Serial Number	Description	Qty.
▽	1	1232599	(300000-) Tank Assy, Rec	1
▲	2	N/A	(300000-) Dirty Water Compartment	1
▲▽	3	1232661	(300000-) Cap Kit, Tank, Rec	1
▲▲	4	N/A	(300000-) Blind Rivet Nail 4 X 15 Mmg	1
▲▲	5	N/A	(300000-) Sleeve Cap Holder	1
▲▲	6	N/A	(300000-) Cap Holder	1
▲▲	7	N/A	(300000-) Warning Plate On Dirty Tank Round Stainless 4.5mm	1
▲▲	8	N/A	(300000-) Cap Without Hole	1
▲▲	9	N/A	(300000-) Sealing Gasket Cap Dirty Tank	1
▲▲	10	N/A	(300000-) Plastic Washer 9x4x1mm	1
▲▽	11	1232600	(300000-) Plate, Mtg, Tank	1
▲▲	12	N/A	(300000-) Fixation Plate Dirt Compartment	1
▲▲	13	N/A	(300000-) Blind Rivet Nail 4 X 15 Mmg	2

▽ ASSEMBLY

▲ INCLUDED IN ASSEMBLY

SCRUB HEAD ASSEMBLY

355577



SCRUB HEAD ASSEMBLY

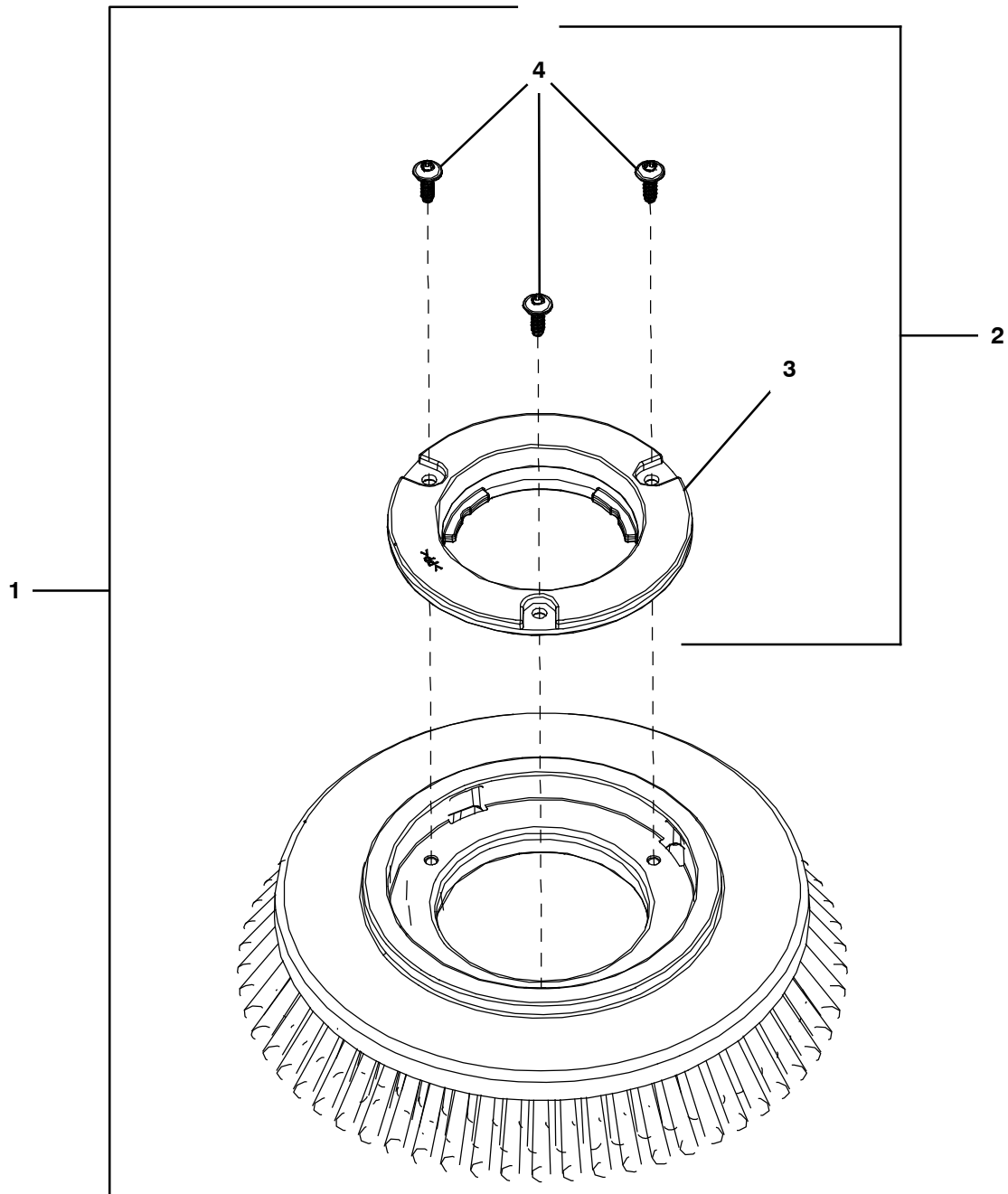
Ref.	Part No.	Serial Number	Description	Qty.
	1	1232579	(300000-) Motor, Brush, Rh	1
	2	1232582	(300000-) Motor, Brush, Lh	1
▽	3	1232693	(300000-) Fitting, Plstc, Tee	1
▲	4	N/A	(300000-) Water Channel Dia. 6mm L:690mm	1
▲	5	N/A	(300000-) Water Channel Dia. 4mm L:110mm	2
▲	6	N/A	(300000-) Water Coupling Brush Motor	1
▽	7	1232698	(300000-) Transport Kit, Caster, Rh	1
▲	8	N/A	(300000-) Shaft Transport Caster	1
▲	9	N/A	(300000-) Transport Caster	1
▲	10	N/A	(300000-) Transport Wheel Pilar Right	1
▲	11	N/A	(300000-) Nut M5 Nylon	1
	12	1232586	(300000-) Cover, Motor, Brush	1
▽	13	1232700	(300000-) Transport Kit, Caster, Lh	1
▲	14	N/A	(300000-) Shaft Transport Caster	1
▲	15	N/A	(300000-) Transport Caster	1
▲	16	N/A	(300000-) Transport Wheel Pilar Left	1
▲	17	N/A	(300000-) Nut M5 Nylon	1
▽	18	1232714	(300000-) Hinge Kit, Hd, Brush	1
▲	19	N/A	(300000-) Chassis Hinge	1
▲	20	N/A	(300000-) Nylok Screw Counter Sunk Bolt M4x12	1
▲	21	N/A	(300000-) Bushing Axis 10	4
▲	22	N/A	(300000-) Brush Unit Hinge Support Left	1
▲	23	N/A	(300000-) Construction Cover Seal	1
▲	24	N/A	(300000-) Brush Unit Hinge Support Right	1
	25	1232687	(300000-) Bumper, Brush	1
	26	1232583	(300000-) Cover, Brush, Bottom	1
▽	27	1232660	(300000-) Shield Kit, Splash (Includes Allen Wrench Tool)	1
▲	28	N/A	(300000-) Splashing Guard Imop Left	1
▲	29	N/A	(300000-) Splashing Guard Imop Right	1
▲	30	N/A	(300000-) Nylok Hexagon Socket Head Cap Screw M5x20	2
▽	31	1232675	(300000-) Cover, Brush, Motor	1
▲	32	N/A	(300000-) Support Disk Driving Wheel Side Hole Dia 5mm	2
▲	33	N/A	(300000-) Nylok Screw Counter Sunk Bolt M5x18 Reverse Thrd Blk	1
▲	34	N/A	(300000-) Cover Brush Motor Screw Color: Blue	2
▲	35	N/A	(300000-) Screw Wn 5451 50x14 Ejot Delta Pt	6
▲	36	N/A	(300000-) Nylok Screw Counter Sunk Bolt M5x18.5	1
▲	37	N/A	(300000-) Driving Wheel Bottom Right Color: Gray	1
▲	38	N/A	(300000-) Driving Wheel Bottom Left Color: Gray	1

▽ ASSEMBLY

▲ INCLUDED IN ASSEMBLY

BRUSH DRIVER ASSEMBLY

355578



BRUSH DRIVER ASSEMBLY

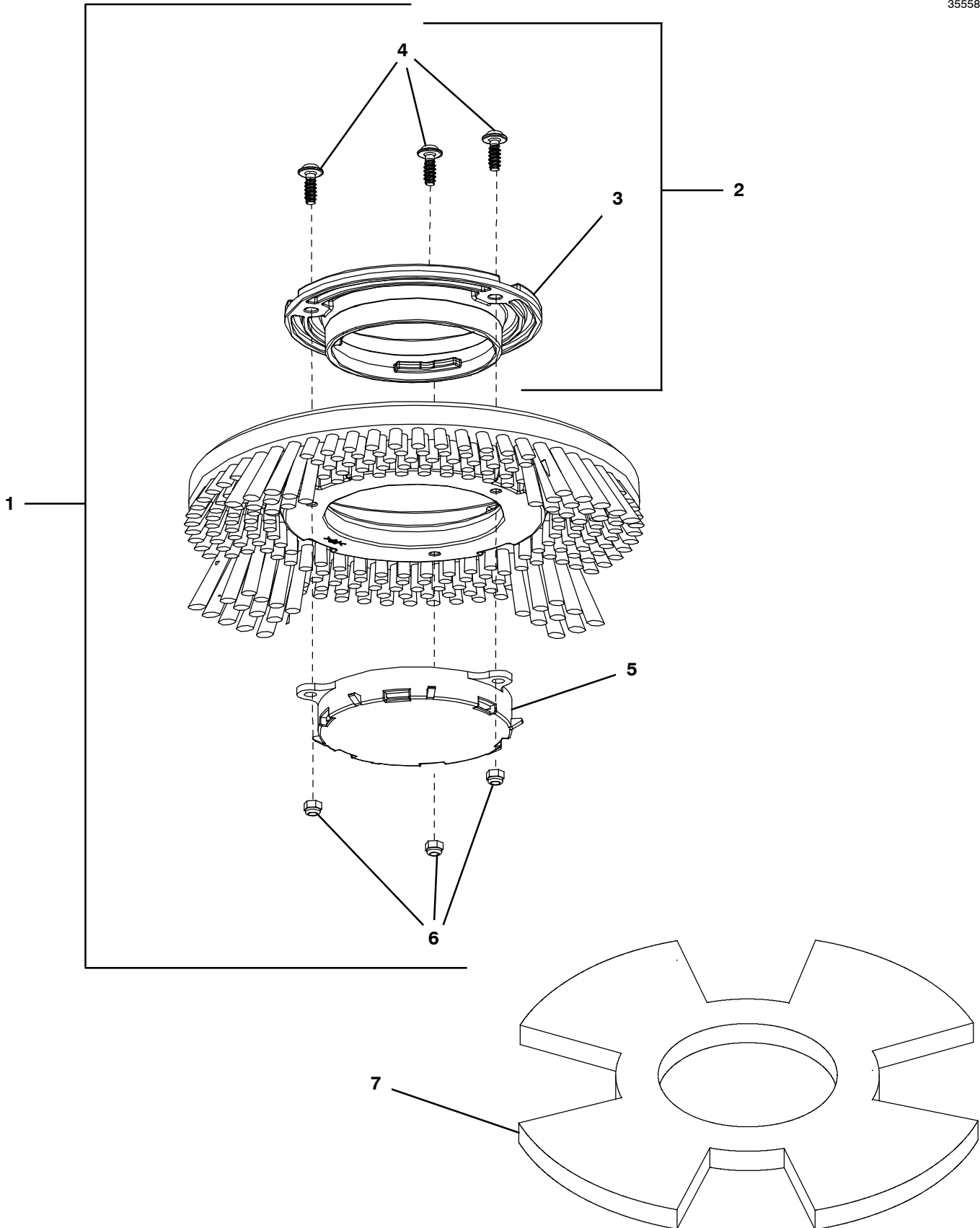
	Ref.	Part No.	Serial Number	Description	Qty.
▽	1	1232578	(300000-) Brush Kit, [Blue Medium Bristle] (Set of 2) (Standard)	2
▽	1	1232607	(300000-) Brush Kit, [Red Hard Bristle] (Set of 2) (Option)	2
▽	1	1232608	(300000-) Brush Kit, [Light Blue Soft Bristle] (Set of 2) (Option)	2
▽	1	1233556	(300000-) Brush Kit, [Blue Med Bristle W/Grn Lock] (Set of 2) (Option)	2
▽	1	1233557	(300000-) Brush Kit, [Blue Med Bristle W/Red Lock] (Set of 2) (Option)	2
▽	1	1233559	(300000-) Brush Kit, [Blue Med Bristle W/Yll Lock] (Set of 2) (Option)	2
▲▽	2	1232620	(300000-) Driver Kit, Brush [Blue] (Standard)	2
▲▽	2	1232622	(300000-) Driver Kit, Brush [Red] (Option)	2
▲▽	2	1232624	(300000-) Driver Kit, Brush [Yellow] (Option)	2
▲▽	2	1232626	(300000-) Driver Kit, Brush [Green] (Option)	2
▲▲	3	N/A	(300000-) Brush Locker Blue (Standard)	2
▲▲	3	N/A	(300000-) Brush Locker Red (Option)	2
▲▲	3	N/A	(300000-) Brush Locker Yellow (Option)	2
▲▲	3	N/A	(300000-) Brush Locker Green (Option)	2
▲▲	4	N/A	(300000-) Screw Wn 5451 50x14 Ejot Delta Pt	6

▽ ASSEMBLY

▲ INCLUDED IN ASSEMBLY

PAD DRIVER ASSEMBLY

355586



PAD DRIVER ASSEMBLY

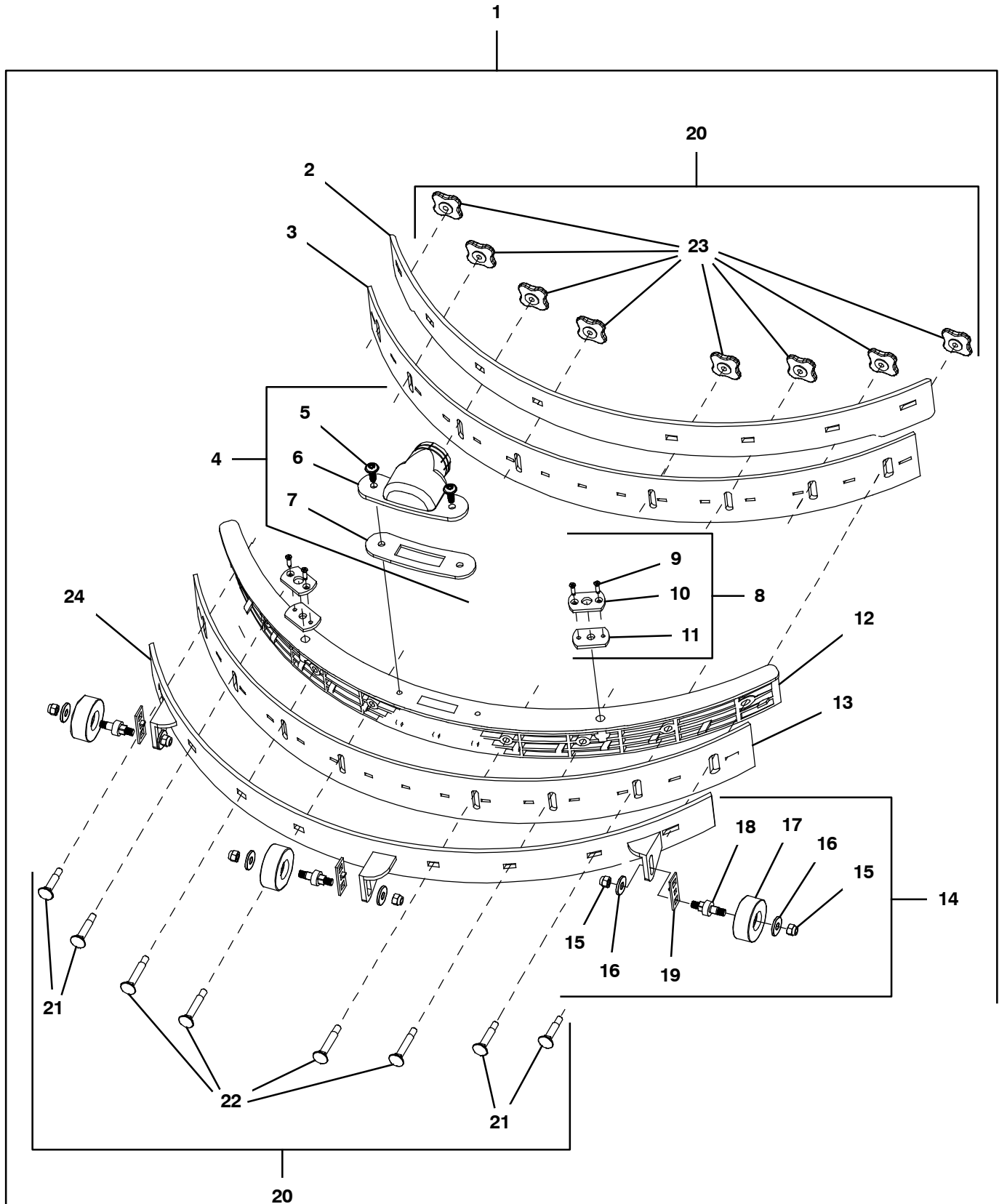
Ref.	Part No.	Serial Number	Description	Qty.
▽	1	1232613	(300000-) Pad Kit, Drvr, [Blue] (Set of 2)	2
▲▽	2	1232620	(300000-) Driver Kit, Brush [Blue] (Standard)	2
▲▽	2	1232622	(300000-) Driver Kit, Brush [Red] (Option)	2
▲▽	2	1232624	(300000-) Driver Kit, Brush [Yellow] (Option)	2
▲▽	2	1232626	(300000-) Driver Kit, Brush [Green] (Option)	2
▲▲	3	N/A	(300000-) Brush Locker Blue (Standard)	2
▲▲	3	N/A	(300000-) Brush Locker Red (Option)	2
▲▲	3	N/A	(300000-) Brush Locker Yellow (Option)	2
▲▲	3	N/A	(300000-) Brush Locker Green (Option)	2
▲▲	4	N/A	(300000-) Screw Wn 5451 50x14 Ejot Delta Pt	6
▲	5	N/A	(300000-) Assy Pad Holder Imop	2
▲	6	N/A	(300000-) Nut M4 Nylon Stainless	6
	7	1232637	(300000-) Pad Kit, Red (Washing Pad) (Set of 2)	2
	7	1232638	(300000-) Pad Kit, Wht (Washing Pad) (Set of 2)	2
	7	1232639	(300000-) Pad Kit, Grn (Washing Pad) (Set of 2)	2
	7	1232640	(300000-) Pad Kit, Blue (Scrubbing Pad) (Set of 2)	2
	7	1232636	(300000-) Pad Kit, Blk (Scrubbing Pad) (Set of 2)	2
	7	1232645	(300000-) Pad Kit, Yellow [Twister] (Diamond Polishing Pad) (Set of 2)	2
	7	1232647	(300000-) Pad Kit, Orange [Twister] (Diamond Polishing Pad) (Set of 2)	2
	7	1232648	(300000-) Pad Kit, Blue [Twister] (Diamond Polishing Pad) (Set of 2)	2
	7	1232649	(300000-) Pad Kit, Green [Twister] (Diamond Polishing Pad) (Set of 2)	2
	7	1232650	(300000-) Pad Kit, White [Twister] (Diamond Polishing Pad) (Set of 2)	2
	7	1232651	(300000-) Pad Kit, Red [Twister] (Diamond Polishing Pad) (Set of 2)	2

▽ ASSEMBLY

▲ INCLUDED IN ASSEMBLY

SQUEEGEE ASSEMBLY

355579



SQUEEGEE ASSEMBLY

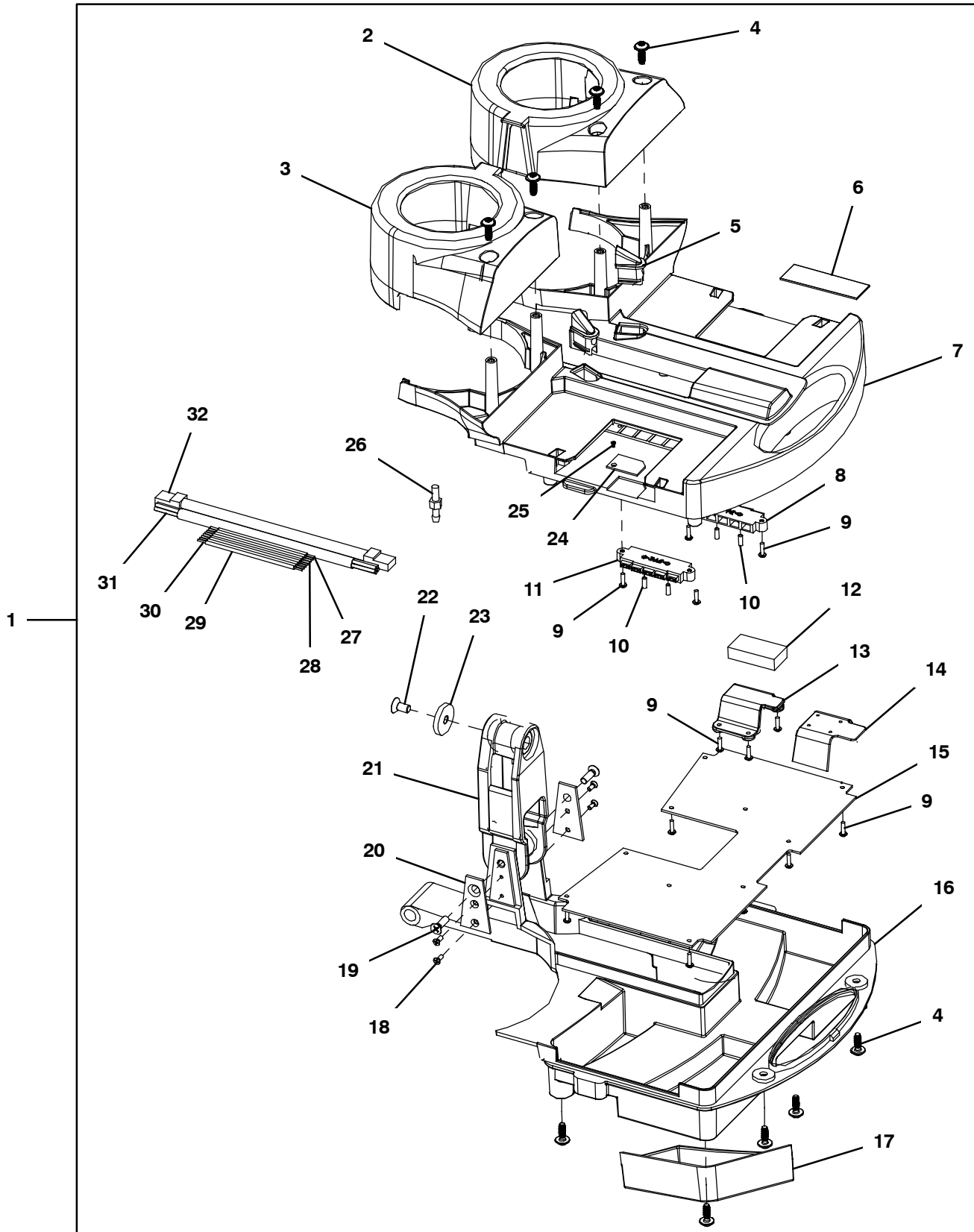
	Ref.	Part No.	Serial Number	Description	Qty.
▽	1	1232588	(300000-) Squeegee Assy, Scrbr	1
▲	2	N/A	(300000-) Squeegee Retainer Front	1
▲	3	1232627	(300000-) Squeegee Kit, Front	1
▲▽	4	1232677	(300000-) Connector, Hose, Sqge	1
▲▲	5	N/A	(300000-) Screw Wn 5451 50x14 Ejot Delta Pt	2
▲▲	6	N/A	(300000-) Squeegee Hose Connector- Up Yellow	1
▲▲	7	N/A	(300000-) Squeegee Hose Connector - Sealing Gasket	1
▲▽	8	1232696	(300000-) Retaining Kit, Sqge (Also Includes Item #14)	1
▲▲	9	N/A	(300000-) M3x10 Countersunk Self Tap Screw	4
▲▲	10	N/A	(300000-) Fixation Plate Squeegee Pin	2
▲▲	11	N/A	(300000-) Rubber Washer Fixation Squeegee Pin Black	2
▲	12	N/A	(300000-) Squeegee Top Plate	1
▲	13	1232629	(300000-) Squeegee Kit, Rear (Standard)	1
	13	1232635	(300000-) Squeegee Kit, Rbr, Oil- Rstn (Option)	1
▲▽	14	1232673	(300000-) Caster Assy, Sqge (Also Includes Item #8)	3
▲▲	15	N/A	(300000-) Nut M5 Nylon	6
▲▲	16	N/A	(300000-) M5 Washer Stainless Steel 5x15x1mm	6
▲▲	17	N/A	(300000-) Squeegee Castor Gray Dia 8mm	3
▲▲	18	N/A	(300000-) Shaft Squeegee Castor Dia 8mm	3
▲▲	19	N/A	(300000-) Height Adjustment Plate	3
▲▽	20	1232688	(300000-) Knob Kit, Retainer, Sqge	1
▲▲	21	N/A	(300000-) M5 Screw Bolt, Thread Length 30	4
▲▲	22	N/A	(300000-) M5 Screw Bolt, Thread Length 35	4
▲▲	23	N/A	(300000-) Plastic Nut Squeegee	8
▲	24	N/A	(300000-) Squeegee Retainer Rear	1

▽ ASSEMBLY

▲ INCLUDED IN ASSEMBLY

MAIN LEVER ASSEMBLY

355585



MAIN LEVER ASSEMBLY

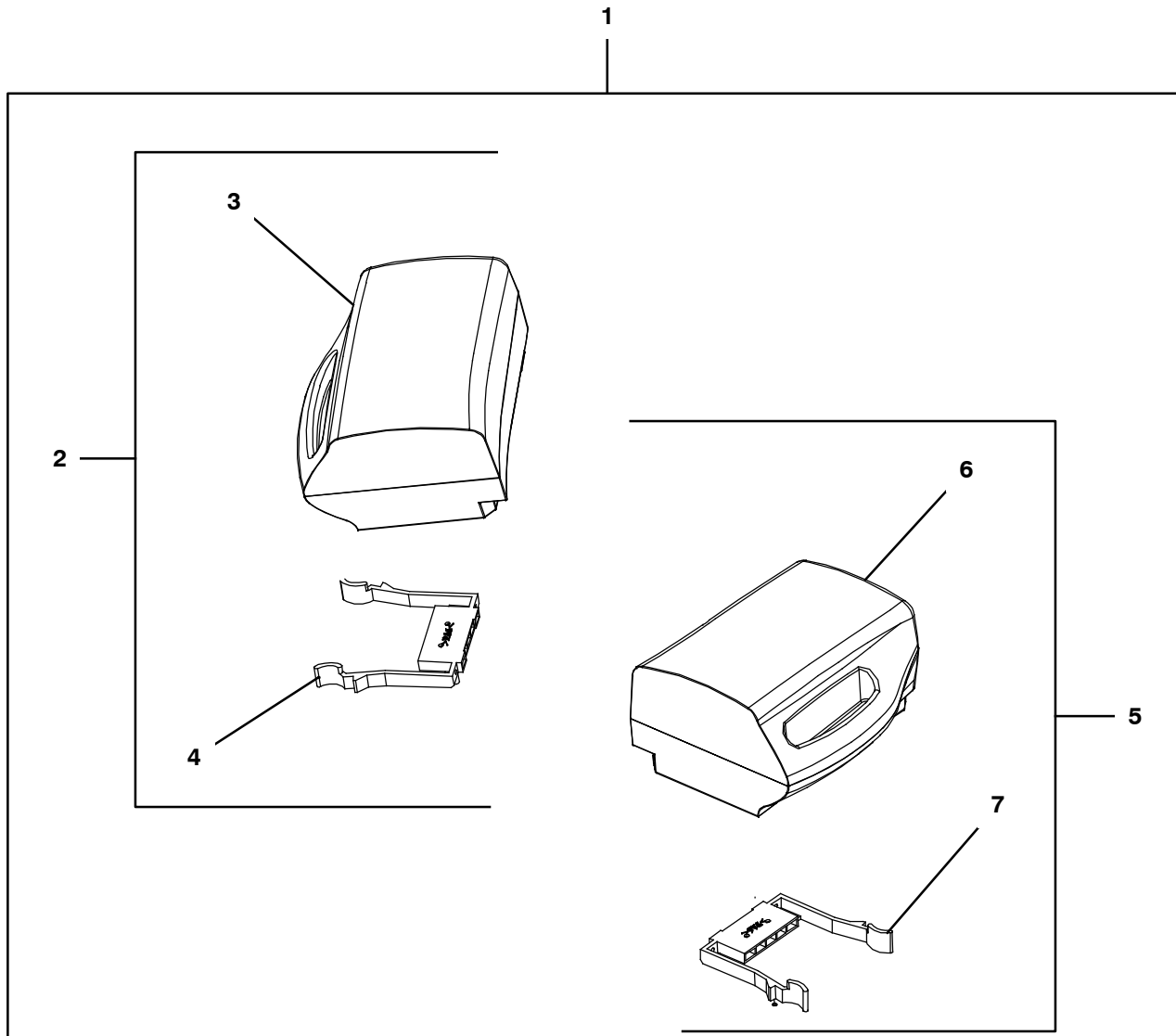
Ref.	Part No.	Serial Number	Description	Qty.
▽	1	1232589	(300000-) Lever Assy, Handle	1
▲	2	N/A	(300000-) Brush Motor Cooling Cover Right Color: White	1
▲	3	N/A	(300000-) Brush Motor Cooling Cover Right Color: White	1
▲	4	N/A	(300000-) Screw Wn 5451 50x14 Ejot Delta Pt	12
▲	5	N/A	(300000-) Pcb Machine Seal	2
▲	6	N/A	(300000-) Sticker Imop [Strong Magnets]	1
▲	7	N/A	(300000-) Main Lever Cover Color: White	1
▲	8	N/A	(300000-) Battery Connector Male Right Color: Gray	1
▲	9	N/A	(300000-) Screw Wn 5451 25x10 Ejot Delta Pt	16
▲	10	N/A	(300000-) Alignment Pin Longer Version	4
▲	11	N/A	(300000-) Battery Connector Male Left Color: Blue	1
▲	12	N/A	(300000-) Magnet Top Unit 40x20x10mm	1
▲	13	N/A	(300000-) Magnet Top Unit Holder Color: Gray	1
▲	14	N/A	(300000-) Steel Cover Isolation Magnet T=3mm	1
▲	15	1232670	(300000-) Circuitboard, Cntrl, Bat	1
▲	16	N/A	(300000-) Main Lever Housing	1
▲	17	N/A	(300000-) Bottom Name Plate + Laser Print Tennant	1
▲	18	N/A	(300000-) Nylok Counter Sunk Bolt M3x8 Sst	4
▲	19	N/A	(300000-) Nylok Screw Counter Sunk Bolt M5x16	2
▲	20	N/A	(300000-) Main Lever Support Plate	2
▲	21	1232590	(300000-) Hinge Assy, Lever	1
▲	22	N/A	(300000-) Counter Sunk Head Cap Screw M6x20 w/ Nylok Glue	1
▲	23	N/A	(300000-) Cardian Disk	1
▲	24	N/A	(300000-) Cover Usb Update Slot Color: White	1
▲	25	N/A	(300000-) Screw Counter Sunk M1.7x6	1
▲	26	N/A	(300000-) Squeegee Fixation Pin	2
▲	27	N/A	(300000-) Male Connector + Wires 14awg Red 150mm	2
▲	28	N/A	(300000-) Male Connector + Connector Wires 14awg Black 150mm	2
▲	29	N/A	(300000-) Wires For Brush Unit 14awg Black L=280mm	2
▲	30	N/A	(300000-) Wires For Brush Unit 14awg Red L=280mm	2
▲	31	N/A	(300000-) Power Cable 3 Wires [1.5mm 2 L=630mm]	1
▲	32	N/A	(300000-) Utp Cable (Multiple Wires) Rj45 Ph2.0- 8p Connector L=60cm	1

▽ ASSEMBLY

▲ INCLUDED IN ASSEMBLY

BATTERY PACK ASSEMBLY

355583



BATTERY PACK ASSEMBLY

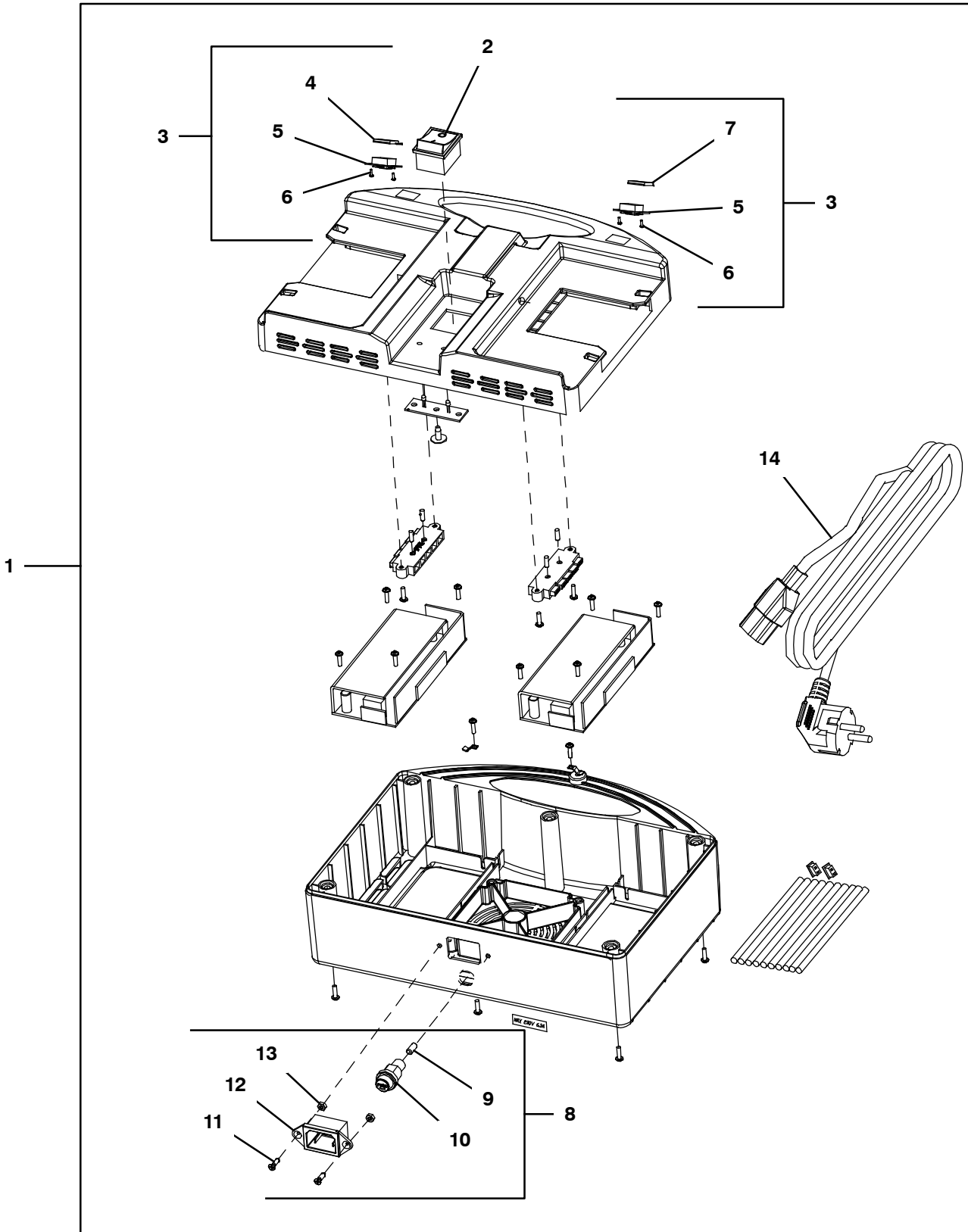
	Ref.	Part No.	Serial Number	Description	Qty.
▽	1	1232100	(300000-) Battery Kit [I- Mop Left & Right]	1
▲▽	2	1232596	(300000-) Battery, Pack, Rh	1
▲▲	3	N/A	(300000-) Battery Pack Gray [Right]	1
▲▲	4	1232598	(300000-) Connector, Bat, Fem, Rh (Color: Gray)	1
▲▽	5	1232544	(300000-) Battery, Pack, Lh	1
▲▲	6	N/A	(300000-) Battery Pack Blue [Left]	1
▲▲	7	1232545	(300000-) Connector, Bat, Fem, Lh (Color: Blue)	1

▽ ASSEMBLY

▲ INCLUDED IN ASSEMBLY

BATTERY CHARGER ASSEMBLY

355580



BATTERY CHARGER ASSEMBLY

	Ref.	Part No.	Serial Number	Description	Qty.
▽	1	1232547	(300000-) Charger, Bat (3pin)	1
▲	2	1232564	(300000-) Switch, Chrgr	1
▲▽	3	1232712	(300000-) Light, Voltage	1
▲▲	4	N/A	(300000-) Transparent Cover Voltage Display Right	1
▲▲	5	N/A	(300000-) Voltage Display With Percentage	2
▲▲	6	N/A	(300000-) Screw M2x5 Cross Head Self Tapping	4
▲▲	7	N/A	(300000-) Transparent Cover Voltage Display Left	1
▲▽	8	1232713	(300000-) Receptacle Kit, Chrgr	1
▲▲	9	N/A	(300000-) Fuse 6.3a	1
▲▲	10	N/A	(300000-) Fuse 6.3a Base	1
▲▲	11	N/A	(300000-) Countersunk Screw M3x15	2
▲▲	12	N/A	(300000-) Recept Inlet 3p + Two Screw Holes Cb 3pin	1
▲▲	13	N/A	(300000-) Nut M3 Nylon	2
▲	14	1232546	(300000-) Cord, Power (UI 3 Pin)	1

▽ ASSEMBLY

▲ INCLUDED IN ASSEMBLY

ELECTRICAL DIAGRAM

